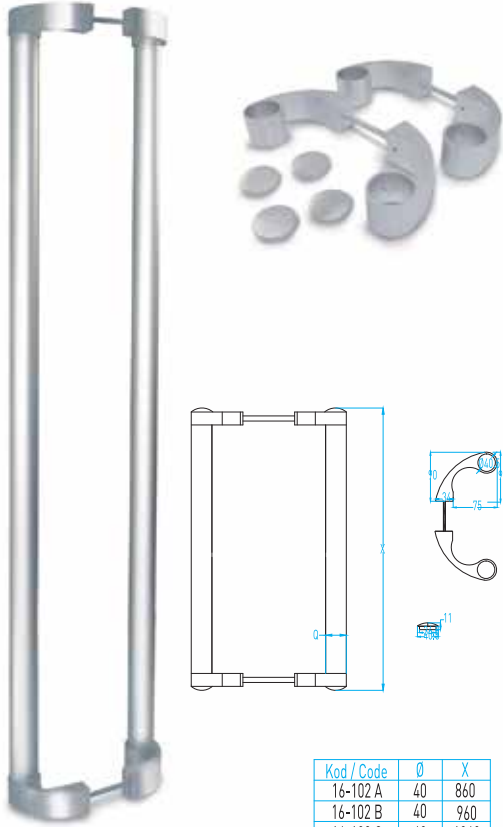


ALÜMİNYUM ÇEKME KAPI KOLLARI

ALUMINIUM PULL DOOR HANDLES

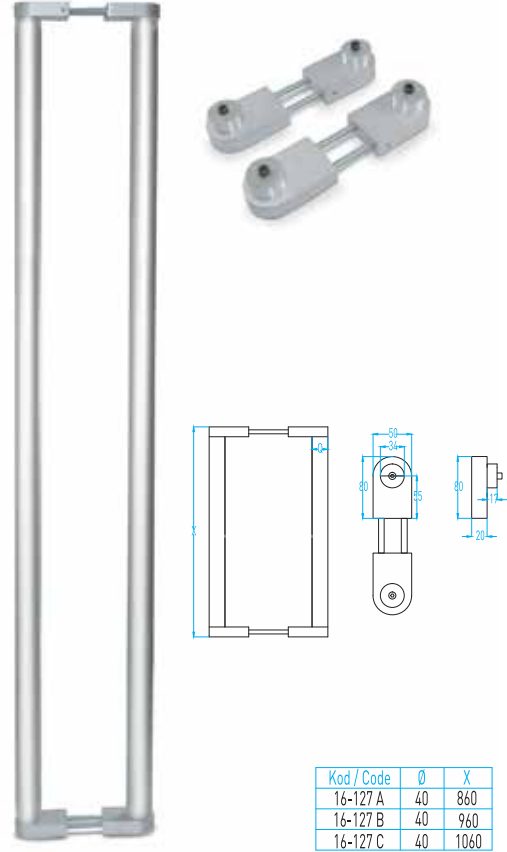
16-102



Kod / Code	Ø	X
16-102 A	40	860
16-102 B	40	960
16-102 C	40	1060

Sipariş adetlerine göre "X" istenilen ölçüde üretilebilir.
X - can be manufactured in required size based on reasonable order quantity.

16-127



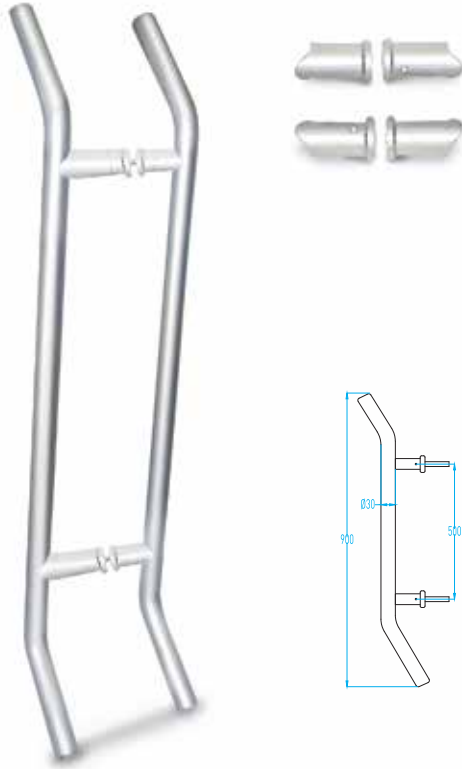
Kod / Code	Ø	X
16-127 A	40	860
16-127 B	40	960
16-127 C	40	1060

Sipariş adetlerine göre "X" istenilen ölçüde üretilebilir.
X - can be manufactured in required size based on reasonable order quantity.

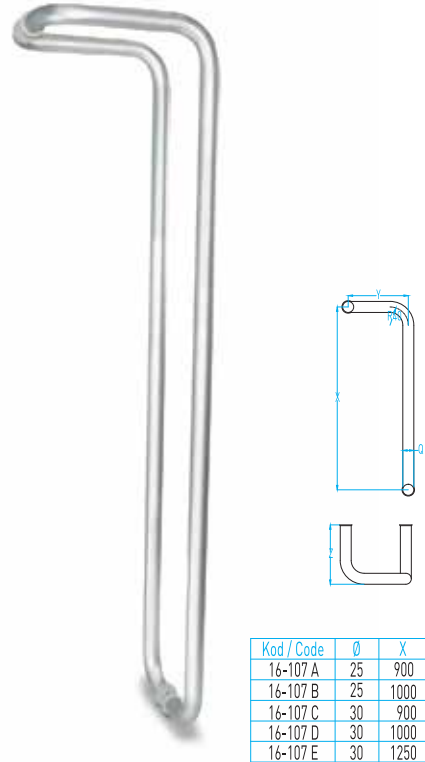
ALÜMİNYUM ÇEKME KAPI KOLLARI

ALUMINIUM PULL DOOR HANDLES

16-104



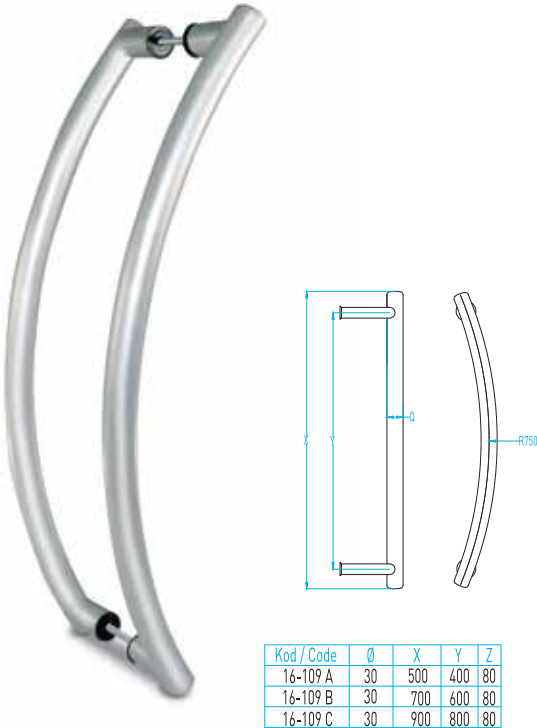
16-107



Kod / Code	Ø	X	Y	Z
16-107 A	25	900	180	80
16-107 B	25	1000	180	80
16-107 C	30	900	200	100
16-107 D	30	1000	200	100
16-107 E	30	1250	200	100

Sipariş adetlerine göre "X" istenilen ölçüde üretilebilir.
X - can be manufactured in required size based on reasonable order quantity.

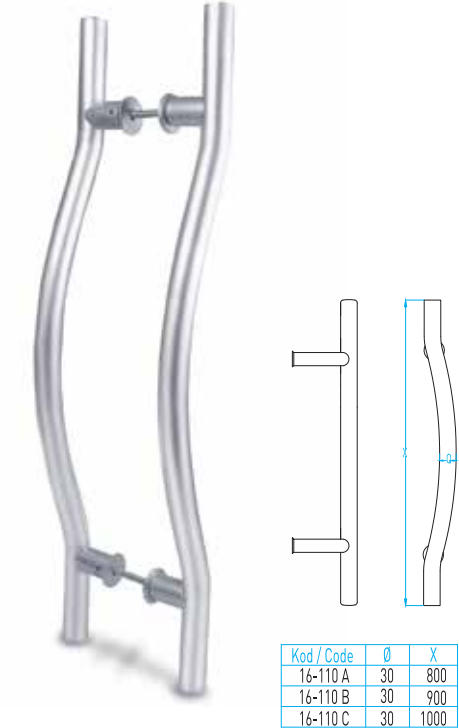
16-109



Kod / Code	Ø	X	Y	Z
16-109 A	30	500	400	80
16-109 B	30	700	600	80
16-109 C	30	900	800	80

Sipariş adetlerine göre "X" istenilen ölçüde üretilebilir.
X - can be manufactured in required size based on reasonable order quantity.

16-110



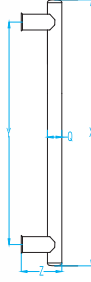
Kod / Code	Ø	X
16-110 A	30	800
16-110 B	30	900
16-110 C	30	1000

Sipariş adetlerine göre "X" istenilen ölçüde üretilebilir.
X - can be manufactured in required size based on reasonable order quantity.

ALÜMİNYUM ÇEKME KAPI KOLLARI

ALUMINIUM PULL DOOR HANDLES

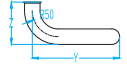
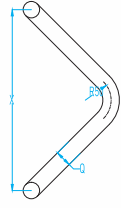
16-112



Kod / Code	Ø	X	Y	Z
16-112 A	30	600	400	80
16-112 B	30	800	600	80
16-112 C	30	1200	900	80
16-112 D	30	1500	1200	80

Sipariş adetlerine göre "X" istenilen ölçüde üretilebilir.
X - can be manufactured in required size based on reasonable order quantity.

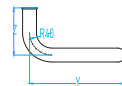
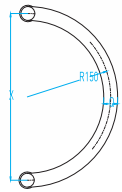
16-113



Kod / Code	Ø	X	Y	Z
16-113 A	25	200	100	80
16-113 B	25	250	125	80
16-113 C	25	300	150	80
16-113 D	30	300	180	100
16-113 E	30	350	180	100

Sipariş adetlerine göre "X" istenilen ölçüde üretilebilir.
X - can be manufactured in required size based on reasonable order quantity.

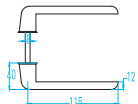
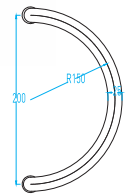
16-114



Kod / Code	Ø	X	Y	Z
16-114 A	25	200	150	80
16-114 B	25	300	210	80
16-114 C	30	300	225	100
16-114 D	35	350	260	100

Sipariş adetlerine göre "X" istenilen ölçüde üretilebilir.
X - can be manufactured in required size based on reasonable order quantity.

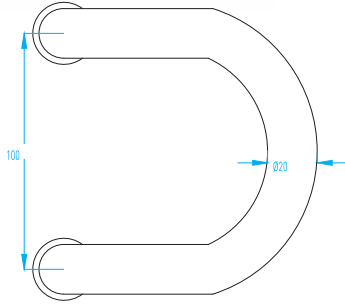
16-115



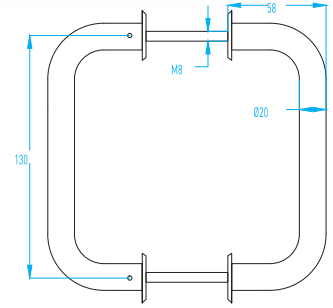
ALÜMİNYUM ÇEKME KAPI KOLLARI

ALUMINIUM PULL DOOR HANDLES

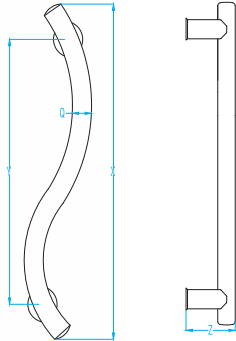
16-116



16-117



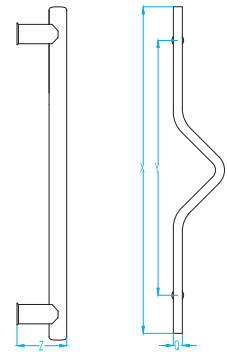
16-118



Kod / Code	Ø	X	Y	Z
16-118 A	30	860	800	80
16-118 B	30	960	900	80
16-118 C	30	1060	1000	80

Sipariş adetlerine göre "X" istenilen ölçüde üretilebilir.
X - can be manufactured in required size based on reasonable order quantity.

16-120



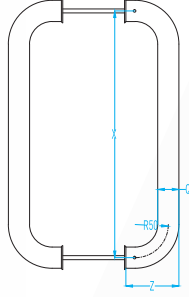
Kod / Code	Ø	X	Y	Z
16-120 A	30	600	400	80
16-120 B	30	800	600	80
16-120 C	30	1200	800	80
16-120 D	30	1500	1200	80

Sipariş adetlerine göre "X" istenilen ölçüde üretilebilir.
X - can be manufactured in required size based on reasonable order quantity.

ALÜMİNYUM ÇEKME KAPI KOLLARI

ALUMINIUM PULL DOOR HANDLES

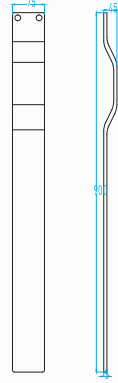
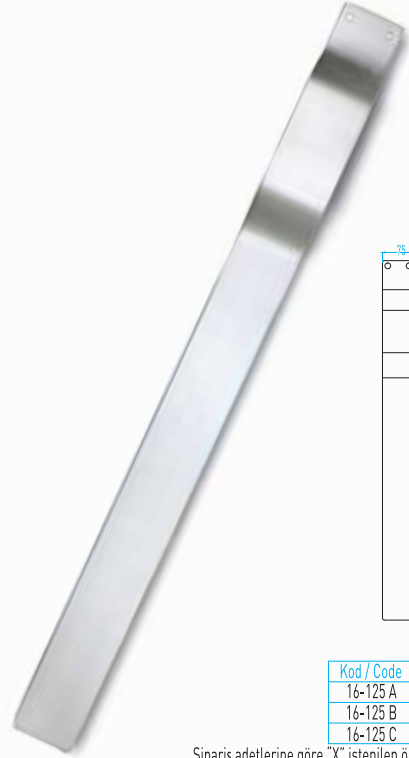
16-124



Kod / Code	Ø	X	Z
16-124 A	20	150	70
16-124 B	25	200	80
16-124 C	25	300	80
16-124 D	25	350	80
16-124 E	25	400	80
16-124 F	30	300	100
16-124 G	30	350	100
16-124 H	30	600	100

Sipariş adetlerine göre "X" istenilen ölçüde üretilebilir.
X - can be manufactured in required size based on reasonable order quantity.

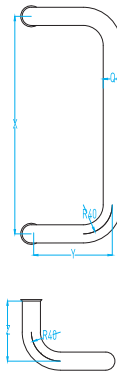
16-125



Kod / Code	X	Y
16-125 A	800	770
16-125 B	300	870
16-125 C	1000	970

Sipariş adetlerine göre "X" istenilen ölçüde üretilebilir.
X - can be manufactured in required size based on reasonable order quantity.

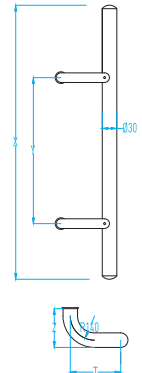
16-126



Kod / Code	Ø	X	Y	Z
16-126 A	25	150	110	80
16-126 B	25	200	130	80
16-126 C	25	300	130	80
16-126 D	25	350	130	80
16-126 E	30	400	130	80
16-126 F	30	300	160	100
16-126 G	30	350	160	100

Sipariş adetlerine göre "X" istenilen ölçüde üretilebilir.
X - can be manufactured in required size based on reasonable order quantity.

16-103



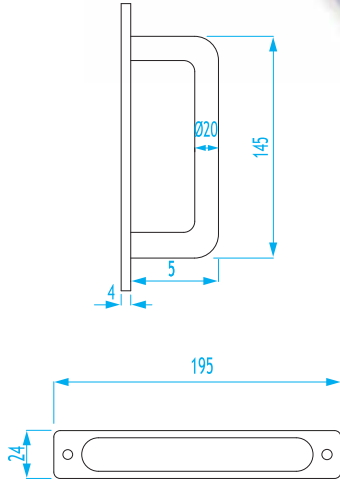
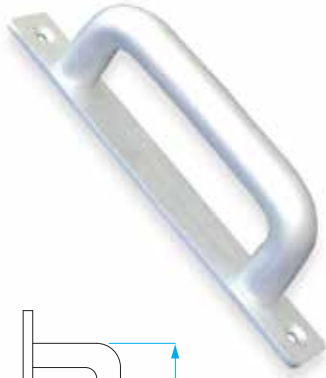
Kod / Code	Ø	X	Y	Z	T
16-103 A	30	600	400	80	120
16-103 B	30	800	600	80	120
16-103 C	30	1200	900	80	120
16-103 D	30	1500	1200	80	120

Sipariş adetlerine göre "X" istenilen ölçüde üretilebilir.
X - can be manufactured in required size based on reasonable order quantity.

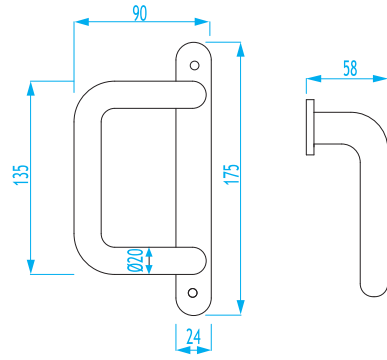
ALÜMİNYUM ÇEKME KAPI KOLLARI

ALUMINIUM PULL DOOR HANDLES

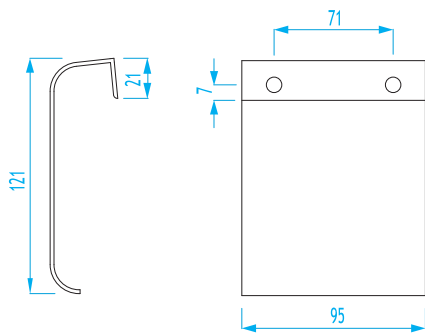
16-128



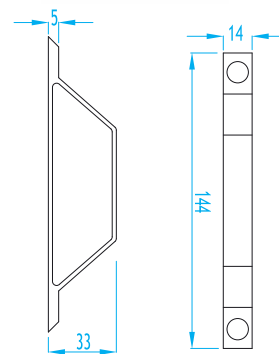
16-129



16-130



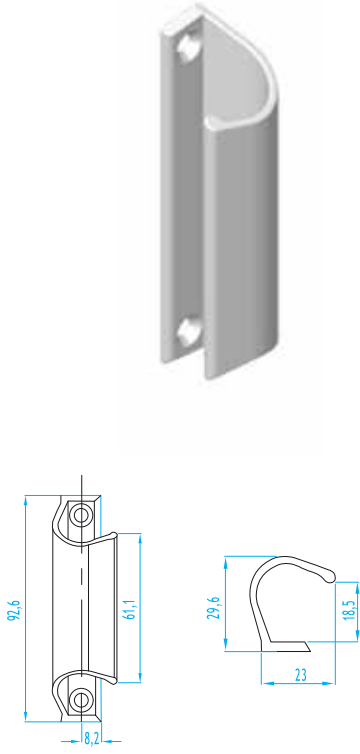
16-131



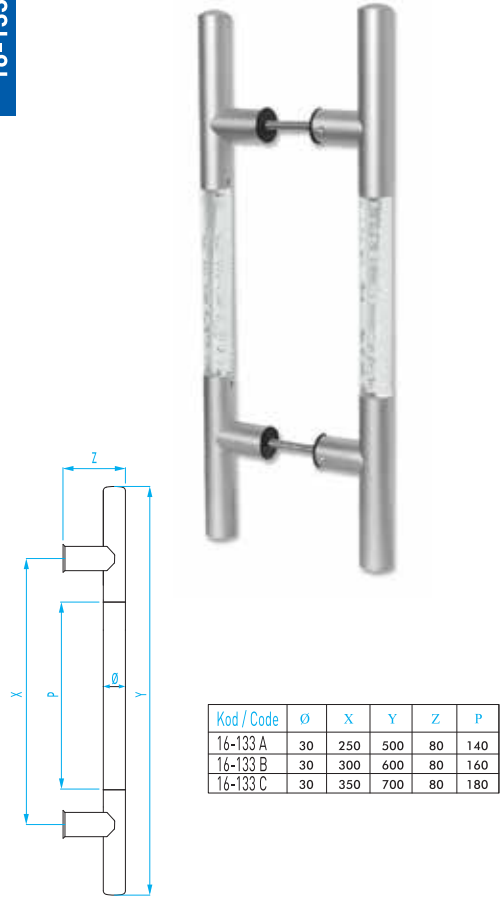
ALÜMİNYUM ÇEKME KAPI KOLLARI

ALUMINIUM PULL DOOR HANDLES

16-132

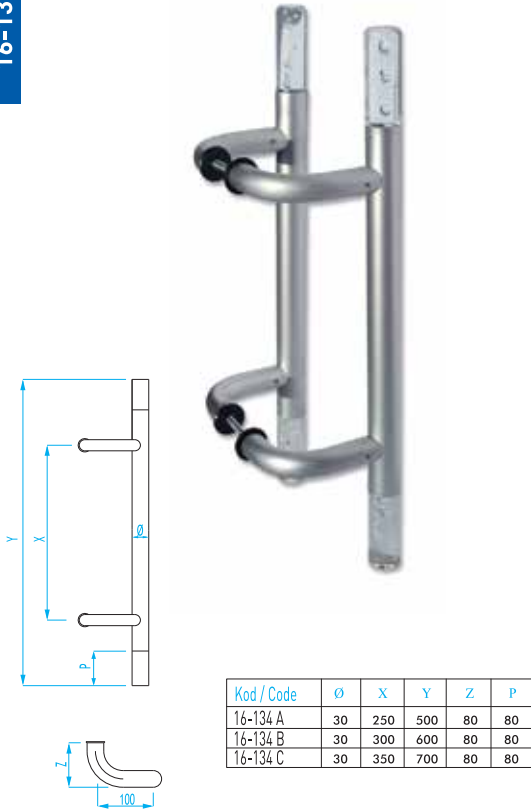


16-133



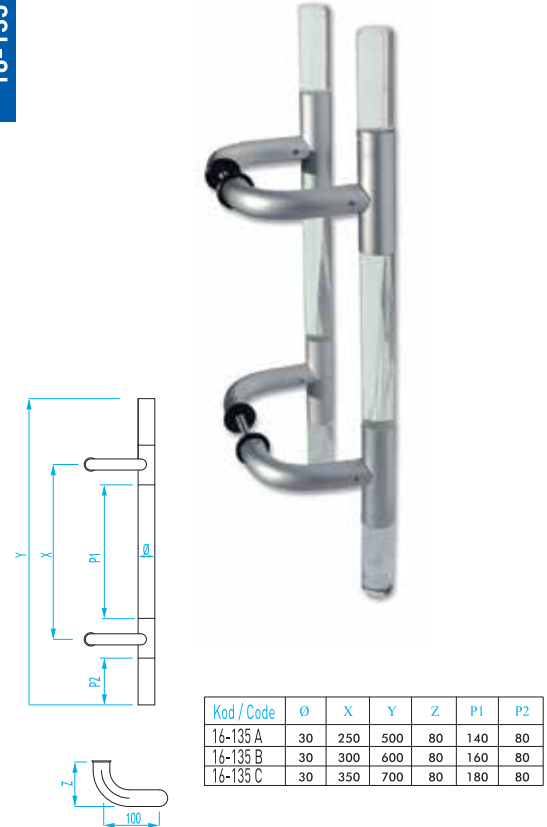
Kod / Code	Ø	X	Y	Z	P
16-133 A	30	250	500	80	140
16-133 B	30	300	600	80	160
16-133 C	30	350	700	80	180

16-134



Kod / Code	Ø	X	Y	Z	P
16-134 A	30	250	500	80	80
16-134 B	30	300	600	80	80
16-134 C	30	350	700	80	80

16-135



Kod / Code	Ø	X	Y	Z	P1	P2
16-135 A	30	250	500	80	140	80
16-135 B	30	300	600	80	160	80
16-135 C	30	350	700	80	180	80